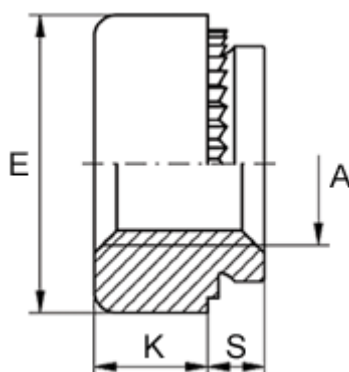


Article number: 12503000025100

Description: KLEE-coil 503 000 025.100
M2,5 Hardened, zinc-pl./chr. yellow

Measures



Female thread A	= M2,5
Height K	= 2.0
Max recess height	= 2.0
Min distance to edge	= 3.0
Outer diameter E	= 6.0
Plate thickness	= from 2.4
Recommended bore diameter +0.05	= 4.00